



## *SkyView*HDX System

# Equipment Installation Record

Airplane Make/Mode/Year:

Serial Number:

Registration Number:

Installer Name / Installation Date:

103777-000

Revision A

7/16/2019

Copyright © 2019 by Dynon Avionics, Inc.

*Dynon Avionics grants third parties' permission to print this document*

## Contact Information

Dynon Avionics, Inc.

19825 141st Place NE

Woodinville, WA 98072

Phone: 425-402-0433

Business Operations: 8:00 AM–5:00 PM (Pacific Time) Monday–Friday

Technical Support Operations: 7:00 AM–4:00 PM (Pacific Time) Monday–Friday

Email Sales: [sales@dynoncertified.com](mailto:sales@dynoncertified.com)

Email Support: [support@dynoncertified.com](mailto:support@dynoncertified.com)

Fax: 425-984-1751

Web: [www.dynoncertified.com](http://www.dynoncertified.com)

### Copyright

©2019 Dynon Avionics, Inc. All rights reserved. No part of this manual may be reproduced, copied, transmitted, disseminated or stored in any storage medium, for any purpose without the express written permission of Dynon Avionics. Dynon Avionics hereby grants permission to download a single copy of this manual and of any revision to this manual onto a hard drive or other electronic storage medium to be viewed for personal use, provided that such electronic or printed copy of this manual or revision must contain the complete text of this copyright notice and provided further that any unauthorized commercial distribution of this manual or any revision hereto is strictly prohibited.

Information in this document is subject to change without notice. Dynon Avionics reserves the right to change or improve its products and to make changes in the content without obligation to notify any person or organization of such changes. Visit the Dynon Avionics website ([www.dynonavionics.com](http://www.dynonavionics.com)) for current updates and supplemental information concerning the use and operation of this and other Dynon Avionics products.

## Revision History

REV	DATE	APPROVED	DESCRIPTION OF CHANGE
A	7/16/2019	ECO 330218	Initial Release

## How to Use this Document

Once completed, this document will provide future airplane maintainers awareness of what and where SkyView HDX System components are installed in your airplane.

Installers should identify installed components by entering part numbers and serial numbers (if serialized), along with the Station, Water, and Buttock Line location as measured from the appropriate datums. Refer to the airplane's maintenance manual to determine an airplane's datum locations. The installer of the SkyView HDX System equipment should use the [Three-Point Reference System](#) to complete [Table 1: SkyView HDX System Equipment List](#).

In addition, enter the airplane's make, model, year, serial number, and registration number in associated fields on the cover of this document. Also enter the installer's name and date of installation. Save the document and enter it into the airplane's permanent record.

## SkyView HDX System Equipment Identification and Location

Use [Table 1](#) to list and locate each SkyView HDX system component installed in this airplane. If the component is installed on an avionics tray, simply enter "avionics tray" under Station Location.

**Table 1: SkyView HDX System Equipment List**

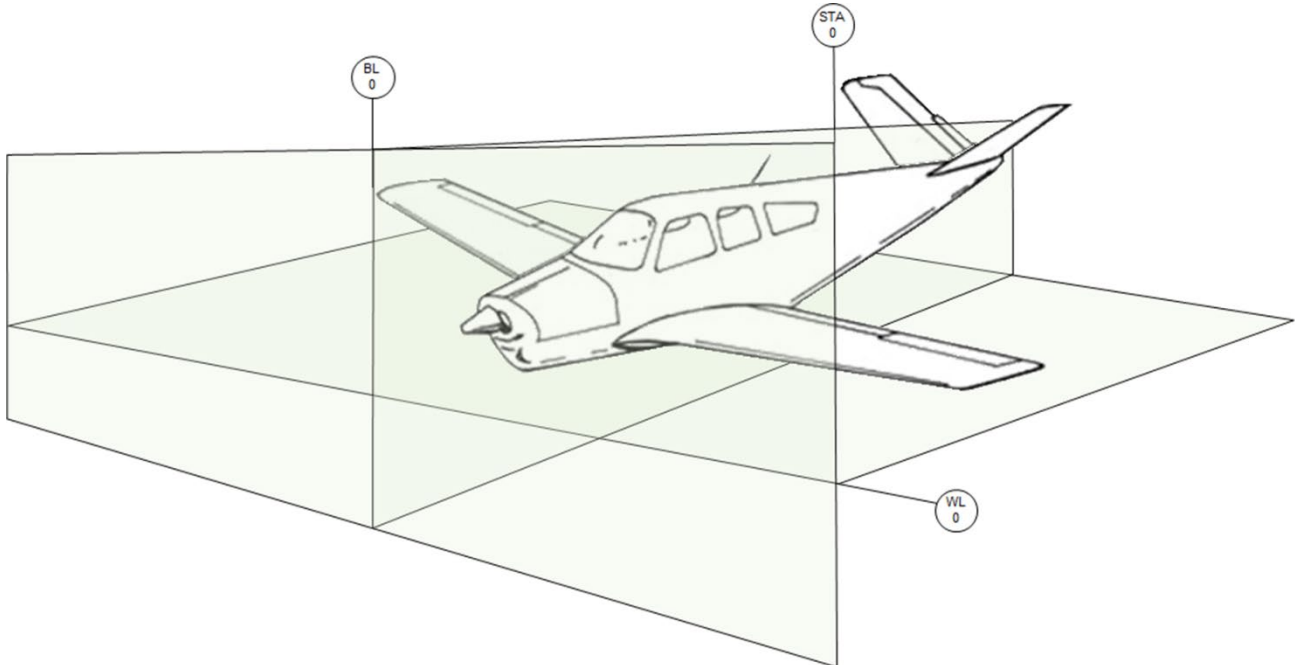
COMPONENT	PART NUMBER	SERIAL NUMBER	STATION LOCATION	WATERLINE LOCATION	BUTTOCK LINE LOCATION
SV-HDX1100 PRIMARY DISPLAY (LEFT)	503273-000			N/A	N/A
SV-HDX1100 SECONDARY DISPLAY (CENTER)	503273-000			N/A	N/A
SV-HDX1100 SECONDARY DISPLAY (RIGHT)	503273-000			N/A	N/A
SV-HDX800 PRIMARY DISPLAY (LEFT)	503473-000			N/A	N/A
SV-HDX800 SECONDARY DISPLAY (CENTER)	503473-000			N/A	N/A
SV-HDX800 SECONDARY DISPLAY (RIGHT)	503473-000			N/A	N/A
SV-BAT-320 BACKUP BATTERY, PRIMARY DISPLAY (LEFT)	503294-000			N/A	N/A
SV-BAT-320 BACKUP BATTERY, SECONDARY DISPLAY (CENTER)	503294-000			N/A	N/A
SV-BAT-320 BACKUP BATTERY, SECONDARY DISPLAY (RIGHT)	503294-000			N/A	N/A
EFIS-D10A STANDBY DISPLAY	503296-000			N/A	N/A
SV-MAG-236 REMOTE MAGNETOMETER	503370-000				
SV-OAT-340 OAT SENSOR	503291-000				

COMPONENT	PART NUMBER	SERIAL NUMBER	STATION LOCATION	WATERLINE LOCATION	BUTTOCK LINE LOCATION
SV-GPS-2020 GPS RECEIVER / ANTENNA	503286-000				
USB PORT, PANEL MOUNT, PRIMARY DISPLAY (LEFT)	503418-000			N/A	N/A
USB PORT, PANEL MOUNT, SECONDARY DISPLAY (CENTER)	503418-000			N/A	N/A
USB PORT, PANEL MOUNT, SECONDARY DISPLAY (RIGHT)	503418-000			N/A	N/A
SV-ADAHRS-200 ADAHRS	503282-000			N/A	N/A
SV-EMS-220 ENGINE MONITORING SYSTEM, ENGINE 1	503365-000				
SV-EMS-220 ENGINE MONITORING SYSTEM, ENGINE 2	503365-000				
SV-ARINC-429 ARINC 429 CONVERTER	503378-000				
SV-ADSB-472 ADS-B IN RECEIVER	503373-000				
SV-XPNDR-261 TRANSPONDER	503417-000				
AUTOPILOT SERVO - PITCH					
AUTOPILOT SERVO - ROLL					
AUTOPILOT SERVO - YAW					
SV-KNOB-PANEL/H KNOB CONTROL PANEL #1 (HORIZONTAL)	503471-000			N/A	N/A

COMPONENT	PART NUMBER	SERIAL NUMBER	STATION LOCATION	WATERLINE LOCATION	BUTTOCK LINE LOCATION
SV-KNOB-PANEL/V KNOB CONTROL PANEL #1 (VERTICAL)	503468-000			N/A	N/A
SV-KNOB-PANEL/H KNOB CONTROL PANEL #2 (HORIZONTAL)	503471-000			N/A	N/A
SV-KNOB-PANEL/V KNOB CONTROL PANEL #2 (VERTICAL)	503468-000			N/A	N/A
SV-AP-PANEL/H AUTOPILOT CONTROL PANEL (HORIZONTAL)	503465-000			N/A	N/A
SV-AP-PANEL/V AUTOPILOT CONTROL PANEL (VERTICAL)	503463-000			N/A	N/A
SV-COM-PANEL/H COM CONTROL PANEL (HORIZONTAL)	503460-000			N/A	N/A
SV-COM-PANEL/V COM CONTROL PANEL (VERTICAL)	503456-000			N/A	N/A
SV-COM-T8 COM TRANSCEIVER	01192-00-03				
SV-BUTTON-APDISC AP DISCONNECT BUTTON	503399-000			N/A	N/A
SV-BUTTON-LEVEL LEVEL BUTTON	503397-000			N/A	N/A
CURRENT SENSOR, 0-100A	503386-000				

## Three-Point Reference System

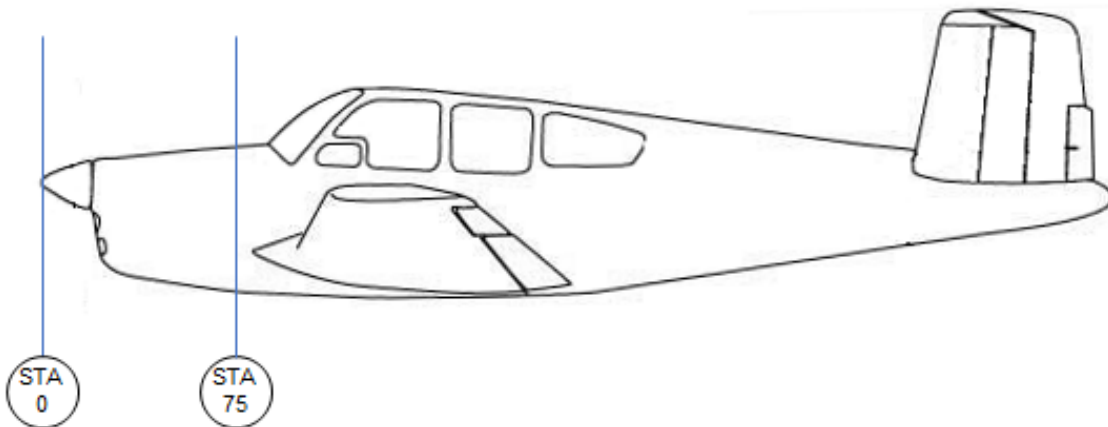
The SkyView HDX system equipment installed in this airplane can be located using the Three-Point Reference System adopted by the manufacturer of the airplane. [Figure 1](#) is an example of the Three-Point Reference System as applied to a common general aviation airplane.



**Figure 1: Typical Three-Point Reference System Datum Locations**

### Station Line Locations

Stations (STA) designate locations along the length of the aircraft in inches, starting from nose to tail. Station 0 (see [Figure 2](#)) is often located in front of the airplane, but it can also be located on a prominent feature of the airplane like the firewall. Station 0 is referred to as the datum. Airplane manufacturers tend to identify prominent structures like a frame with its station location in inches. For example, Frame 210.10 would be located 210.10 inches aft of the datum (STA0).

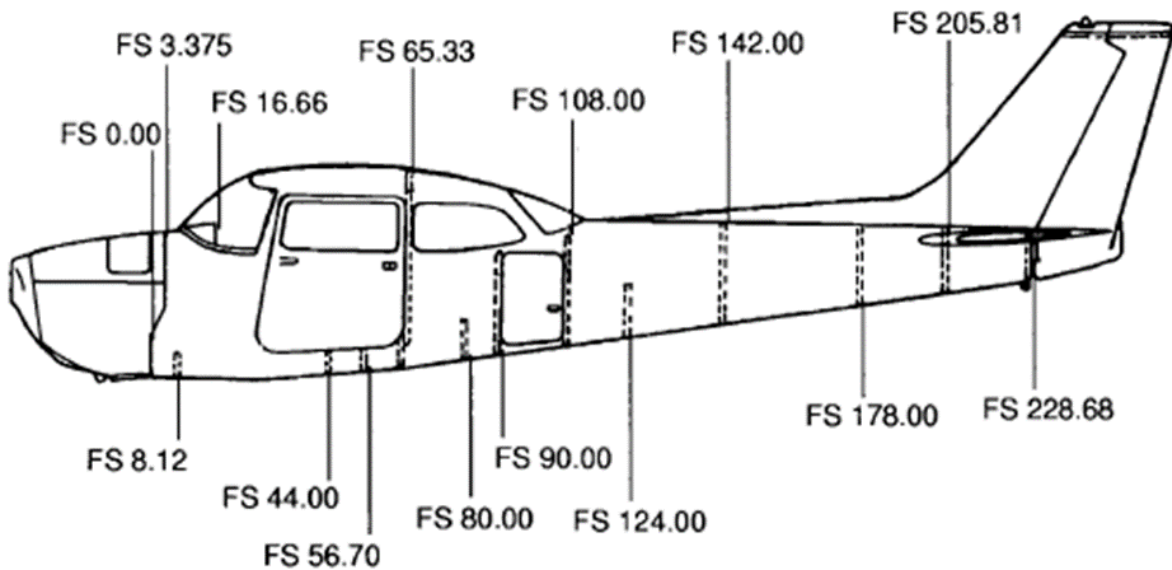


**Figure 2: Example of Station Lines**



## Fuselage Stations

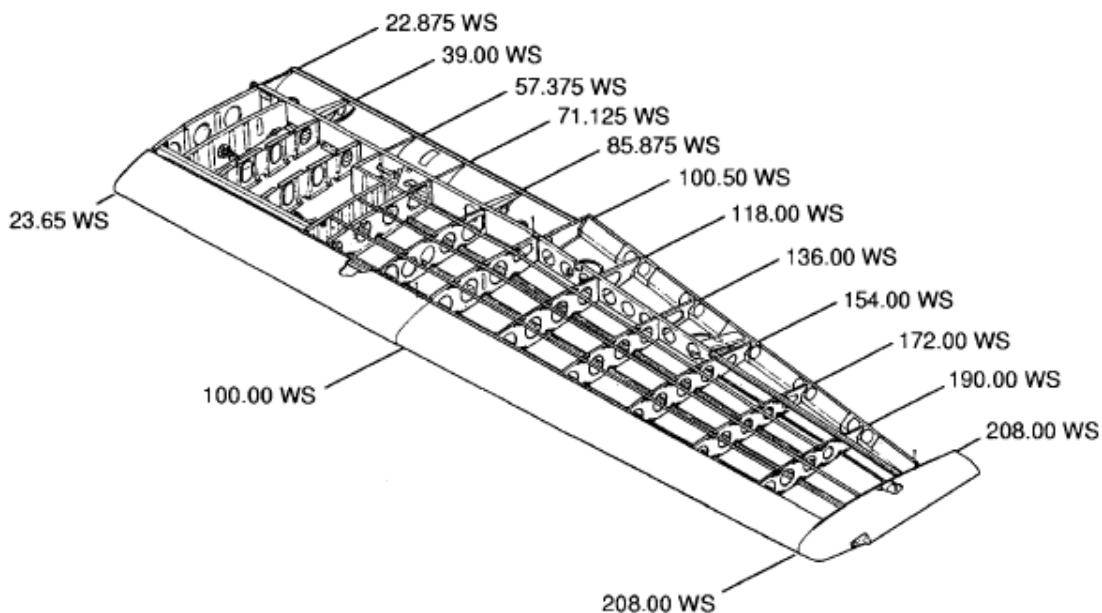
When referring to stations, many airplane manufacturers will use the term Fuselage Stations (FS). [Figure 3](#) is an example of using Fuselage Stations.



**Figure 3: Example of Fuselage Stations**

## Wing Stations

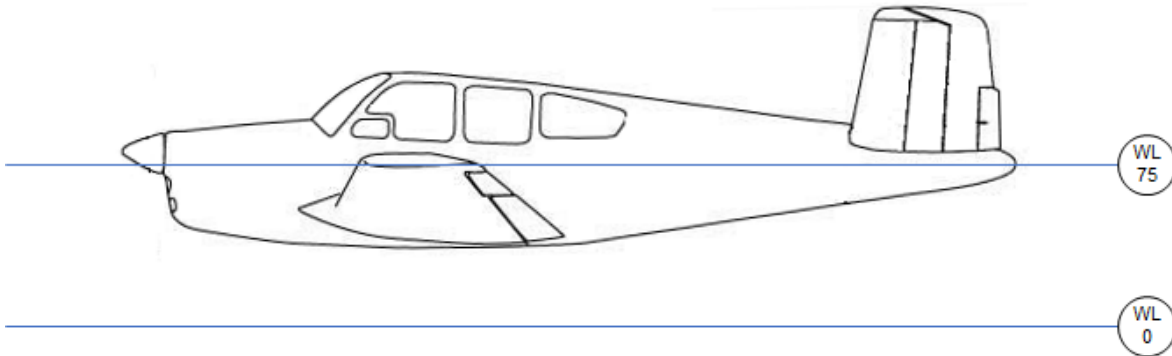
Another form of station is the Wing Station (WS). Wing stations typically reference the vertical centerline of the airplane as the datum and extend along the span of the wings. Prominent structures like ribs are often named according to their WS location. Wing Stations, if used by the airplane manufacturer, replace Butt lines when referencing wing locations. [Figure 4](#) is an example of using Wing Stations.



**Figure 4: Example of Wing Stations**

## Waterline Locations

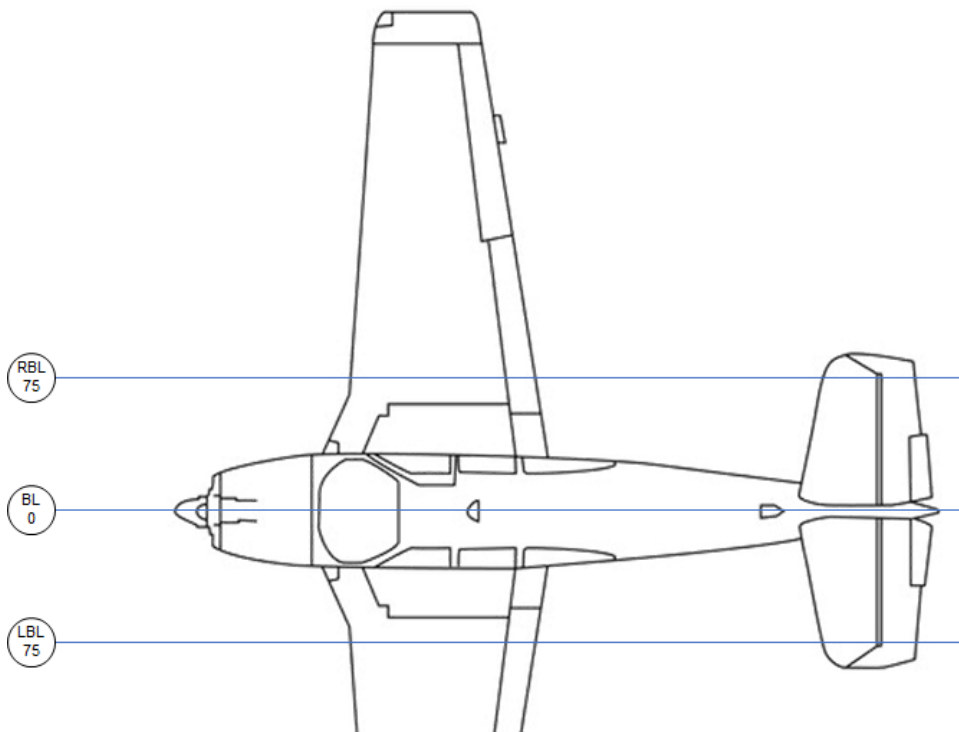
Waterlines (WL) designate the vertical location in inches from a reference point (WL0) typically located below the airplane. Airplane manufacturers will assign a prominent and level feature like the floor and assign it value such as WL75, which is 75 inches above WL0. [Figure 5](#) is an example of waterline references.



**Figure 5: Example of Waterlines**

## Buttock Line Locations

Buttock or Butt lines (BL) designate horizontal locations to the left or right of the aircraft's vertical centerline. The centerline of the airplane is commonly referred to as BL0 and is the datum. Distances to the left are called Left Butt Line ## (or LBL##), and distances to the right are called Right Butt Line ## (or RBL##). Buttock lines are expressed in inches from the datum. See [Figure 6](#) for examples of left and right buttock lines.



**Figure 6: Example of Buttock Lines**